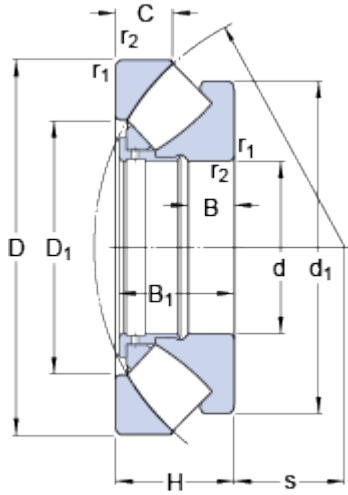


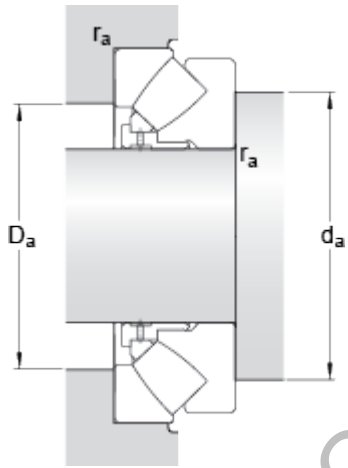
# 29492 EM

## Dimensions



d	460	mm
D	800	mm
H	206	mm
d <sub>1</sub>	≈ 730	mm
D <sub>1</sub>	≈ 596	mm
B	77	mm
B <sub>1</sub>	199	mm
C	101.5	mm
s	268	mm
r <sub>1,2</sub>	min. 9.5	mm

## Abutment dimensions



d <sub>a</sub>	min. 630	mm
D <sub>a</sub>	max. 695	mm
r <sub>a</sub>	max. 8	mm

## Calculation data

Basic dynamic load rating	C	9300	kN
Basic static load rating	C <sub>0</sub>	33500	kN
Fatigue load limit	P <sub>u</sub>	2450	kN
Reference speed		430	r/min
Limiting speed		750	r/min
Minimum axial load factor	A	100	

## Mass

Mass bearing		425	kg
--------------	--	-----	----